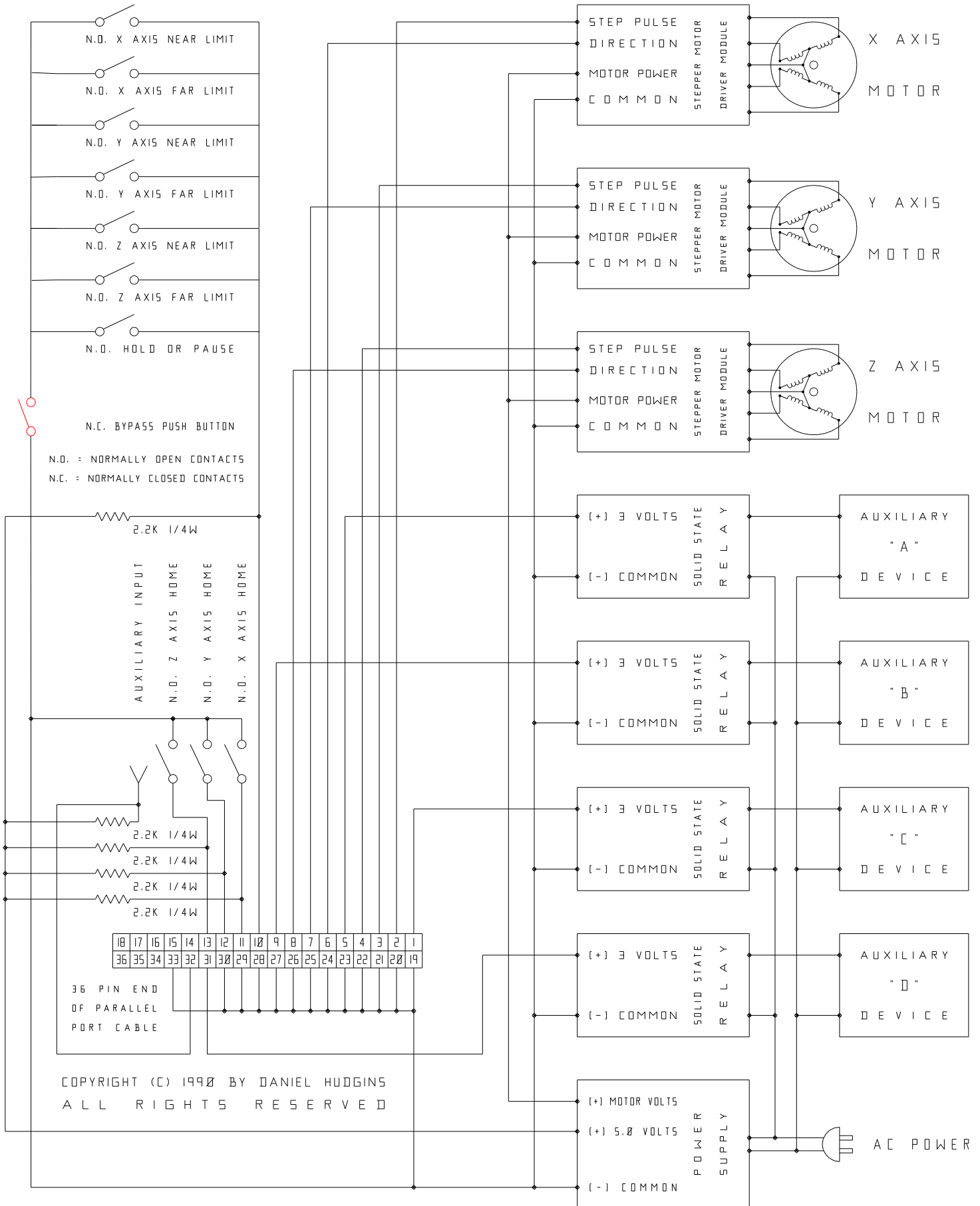


STEPPER MOTORS AND FOUR AUXILIARY DEVICES FROM THE DANCAM OR DANPLOT PROGRAMS.



TO RESTART MOTORS AFTER LIMIT A SWITCH OPENS: PRESS [CONTROL] AND [X] ON THE KEYBOARD THEN PUSH THE BYPASS PUSH BUTTON AT PIN 10. USE THIS INFORMATION AT YOUR OWN RISK.

Limit switches changed for DeskNC DOS. D